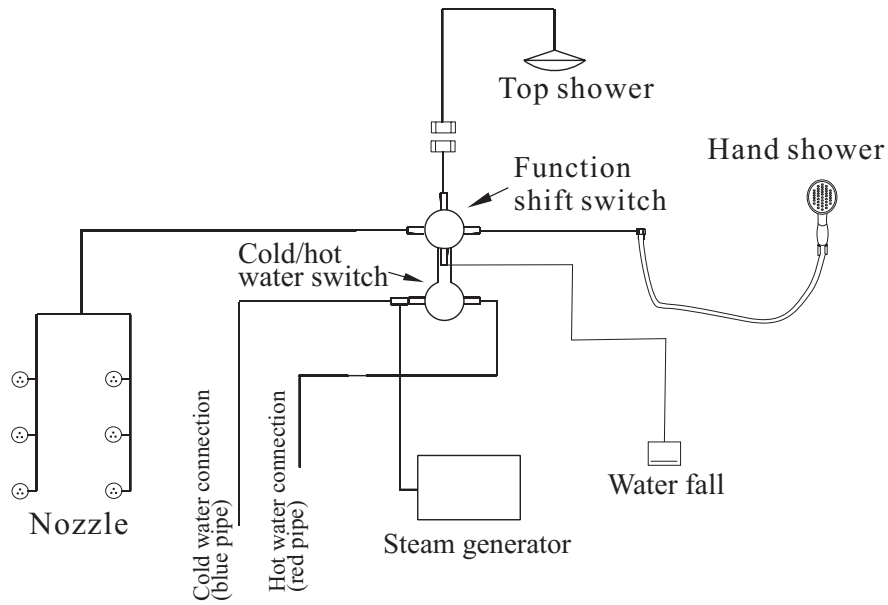


● Drawing of water connection



No advanced advice will be submit before we change our design and size.

The pictures may be a little different from the real products.

Our company keep the final explanation right.



Do not dispose this product as unsorted municipal waste. Collection of such waste separately for special treatment is necessary.



Install manual

Steam bathroom

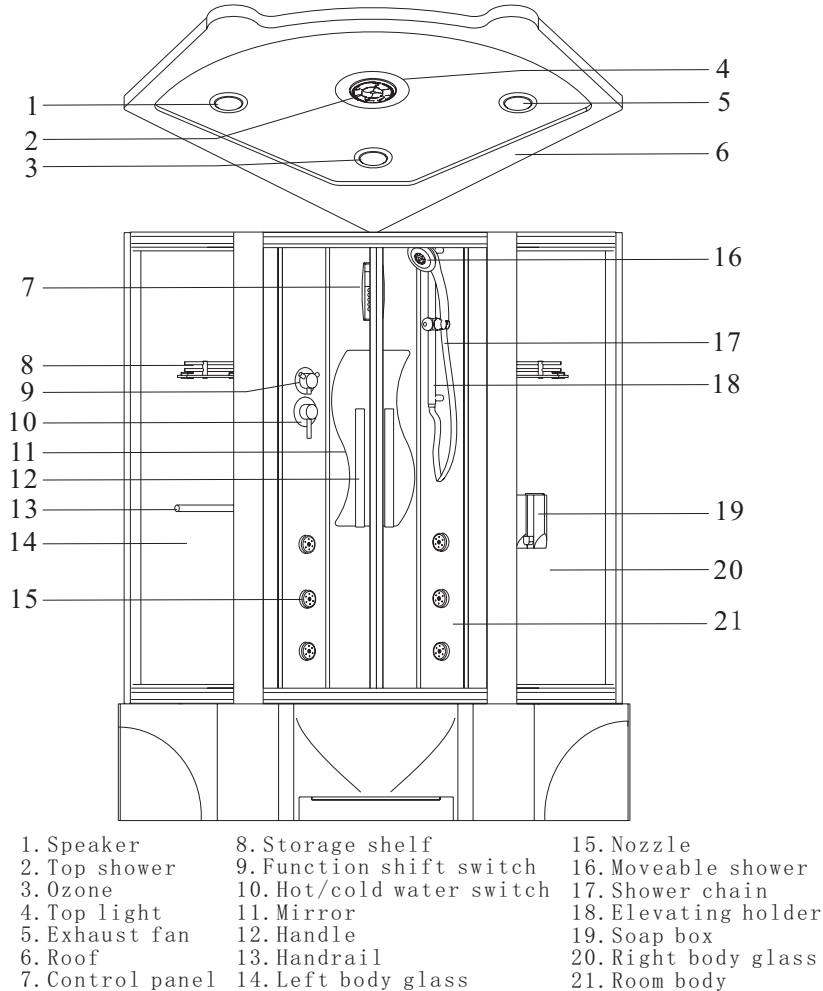
MODEL : WS-609P



FOREWORD

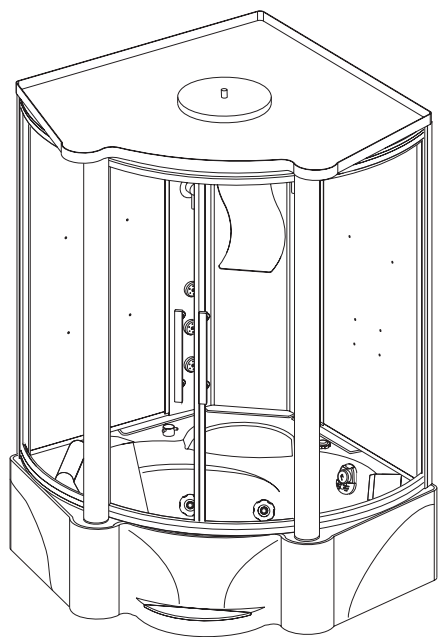
• Welcome to purchase our steam bathroom. For use function of the unit well and dose not any trouble in using this product. For perfect operation and security, please read the manual carefully and keep it for the future reference. No further notice will be submitted if any changes in products. The explain property rights owned by our company if there is no any particular or mistake about it.

Identification of components

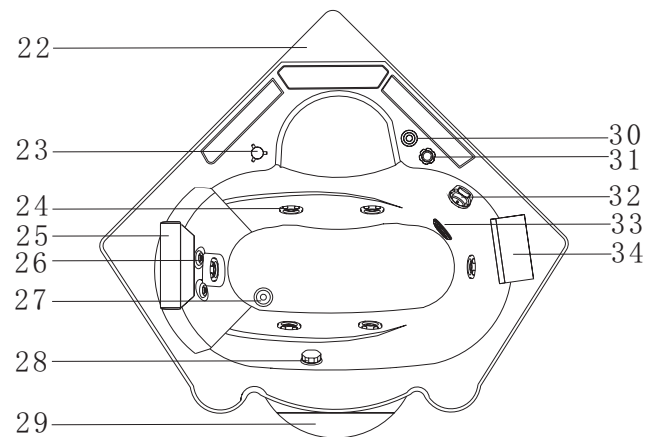
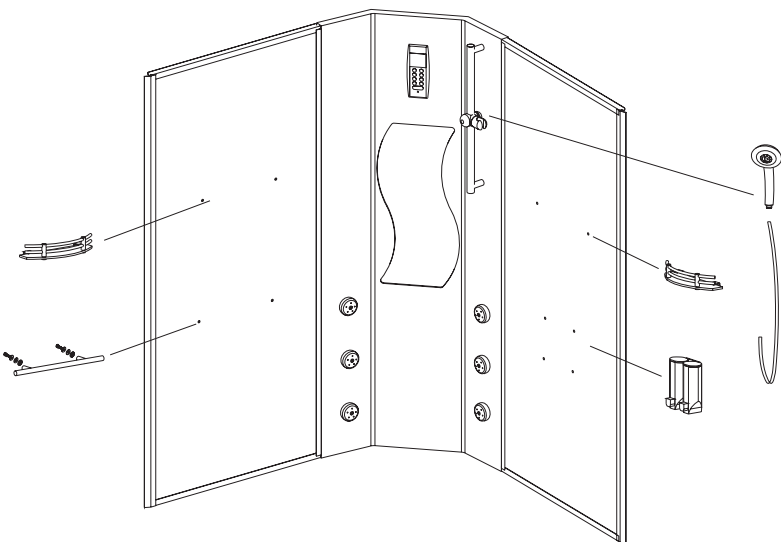


● TROUBLESHOOTING

Phenomenon	Reasons	Maintenance
Without steam	<ol style="list-style-type: none"> 1.steam generator without water. 2.inside infrared pipe burn out of steam generator. 3.block of steam spray mouth. 4.probe out off control. 5.the temperature inside steam room is over the temperature what were set. 6.after fill into water it is still not the time for steam working. 7.it is overtime for the setting time. 8.unconnect with the control wire. 	<ol style="list-style-type: none"> 1.check if the switch of water in be turn on or not. 2.change the infrared pipe. 3.get rid of mess. 4.check the connection wire and change the probe. 5.waiting decrease the temperature. 6.be waiting few minutes. 7.adjust the setting time. 8.connect to control wire.
Without O ₃	<ol style="list-style-type: none"> 1.system be damaged 	<ol style="list-style-type: none"> 1.change the system
Water pump unworking	<ol style="list-style-type: none"> 1.water pump without power. 2.air pipe which connect with switch of air valve be insected untightly. 3.switch of air valve out of control. 4.air pipe leaking. 5.rotor of water pump unworking. 6.water pump be burned. 	<ol style="list-style-type: none"> 1.check if the power of water pump get through. 2.to insect the air pipe tightly. 3.change the switch of air valve. 4.change the air pipes. 5.check if there are stems in the water pump,take apart those air pipes in order to get rid of stems. 6.change the water pump.
Volume under control	<ol style="list-style-type: none"> 1.suction of water pump is not enough. 2.air adjustment valve working abnormal. 3.block of jets. 	<ol style="list-style-type: none"> 1.check the water pump if it is working normally. 2.change the air valve. 3.get rid of mess.
Water pipe leaking	<ol style="list-style-type: none"> 1.plastic seal ring be connected untightly. 2.screws unlock. 3.connection is glued not good. 4.water pipe be damaged. 	<ol style="list-style-type: none"> 1.change the plastic seal ring. 2.screws should be installed tightly. 3.get rid of the PVC glue then stick the glue again till it is be well done. 4.change the water pipe.
Computer panel under control	<ol style="list-style-type: none"> 1.power not be connected well,electronic leakage device without power. 2.switch of control panel out of control. 	<ol style="list-style-type: none"> 1.get through the power again. 2.change the computer panel.
Without lighting	<ol style="list-style-type: none"> 1.bulb be burned. 2.without power. 3.switch of control panel out of control. 	<ol style="list-style-type: none"> 1.change bulb. 2.get through power gain. 3.maintain or change the computer panel.
Telephone connection unworking	<ol style="list-style-type: none"> 1.telephone wire not connected well or be damaged. 2.telephone's device be blocked. 	<ol style="list-style-type: none"> 1.check the wires of telephone and electronic box if get through or not, if there is something wrong replace by the similar wires. 2.get rid of mess.
Without sounds	<ol style="list-style-type: none"> 1.speaker be broken 2.without power 3.switch of control panel out of control 	<ol style="list-style-type: none"> 1.change the speaker 2.get through power again 3.maintain or change the computer panel

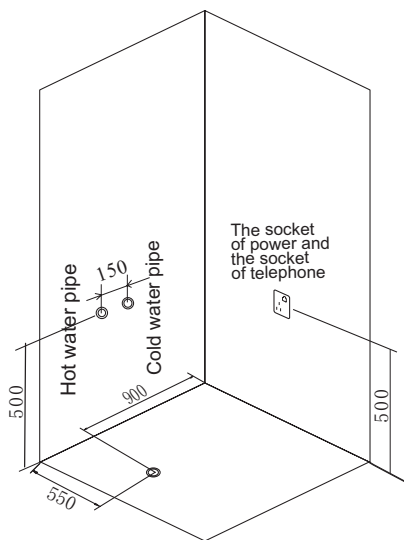


Step 6



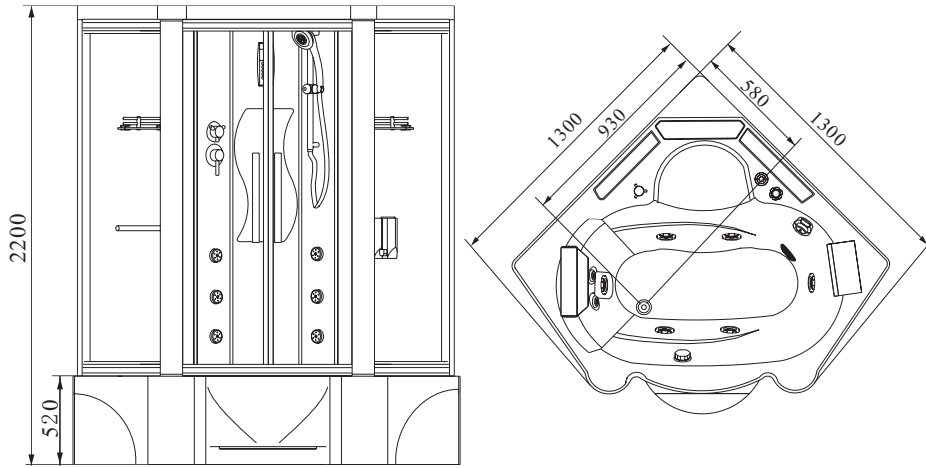
- | | |
|---------------------|------------------|
| 22. Bathtub | 29. Marble |
| 23. switch | 30. Air switch |
| 24. Water jet | 31. Air adjuster |
| 25. Pillow | 32. Steam outlet |
| 26. Nozzle | 33. water inlet |
| 27. Drainage | 34. Waterfall |
| 28. Drainage switch | |

● Notes



1. Install the steam bathroom in a proper way and have the electrician or professional personnel to install the unit, the company won't take the responsibility for any improper installation and usage.

2. The application of the product shall observe the operating instructions, dismantling and alteration without authorization is prohibited, the manufacturer shall not take the responsibility for any problems resulted from improper use or dismantling by one's self.



● Please follow the steps to install the unit.

